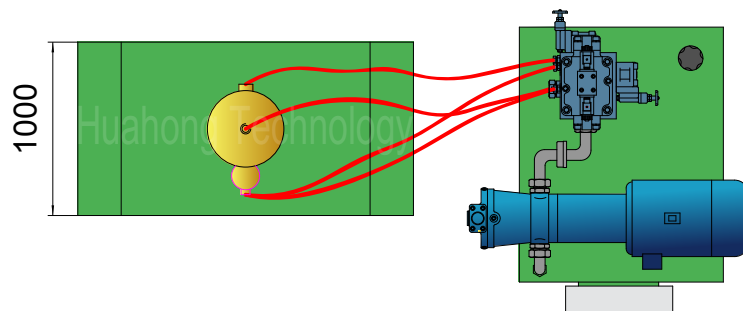
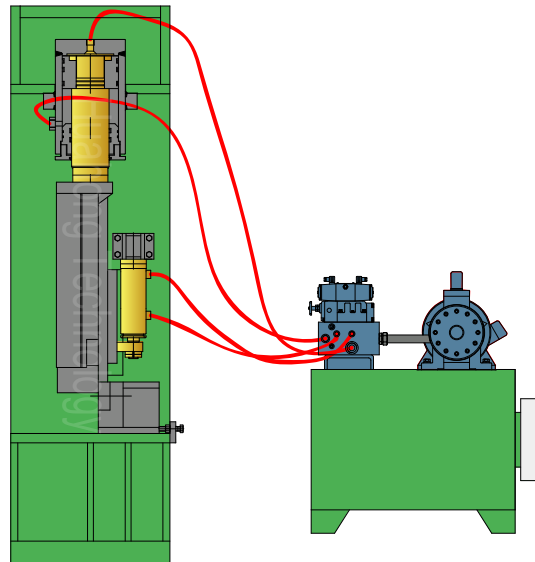
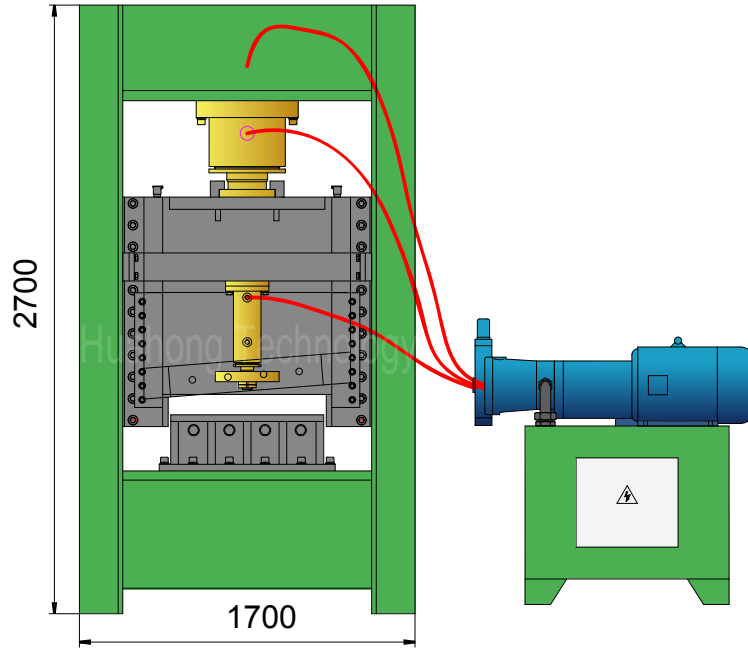




Q15A-315

Plan View





Q15A-315

Technical parameters

Hydraulic Shear (Square Shear)

Model: Q15A-315

Power System (Motor)

Type: Y280S-6
 Rated Power: 45 kW
 Rated Speed: 980 rpm
 Power Spec: 3PH, 50 / 60Hz

System Parameters

Max. Shearing Force: 315 Ton
 Max. Pressing Force: 23.5 Ton
 Hydraulic System Pressure: 25 MPa
 Cutting Speed: 4-7 times/min

Hydraulic System (Pump, 2 sets)

Pump #1: 250YCY14-1B
 Rated Displacement: 250 ml/r
 Max Operating Pressure: 31.5 MPa

Pump #2: 80YCY14-1B
 Rated Displacement: 80 ml/r
 Max Operating Pressure: 31.5 MPa

Optional Configuration

NOK (JAPAN) Seal Packings for Cylinders;
 Cooler / Heater;
 Magnetic Oil Filter;
 Diesel / Diesel Generator for Power.

Operation System

Hydro-electrical Valves, Push Button Control.

General Description

Main Machine Size (L×W×H): 1700×1000×2700 mm
 Height of Working Table: 780 mm
 Blade Length: 800 mm
 Blade Angle: 4.5 Degree
 Shear Opening: 120 mm
 Max. Cutting Size (Steel Sheet): 30×700 mm
 Shipping Weight: Approx. 7 tons
 Loading (Standard Containers): 1×20'GP

Hydraulic Oil Brand

Oil Tank Volume: 2300 ltr

ISO VG	China	U.S.		Britain	France
	GB11118.1	CALTEX CO.	MOBIL	SHELL	ELF CO.
HM 46	46 #	Rando HD46	D.T.E46	Tellus 46	Elfolna 46
HM 68	68 #	Rando HD68	D.T.E68	Tellus 68	Elfolna 68

Above information are indicative not engaging. Rights reserved for change if necessary.