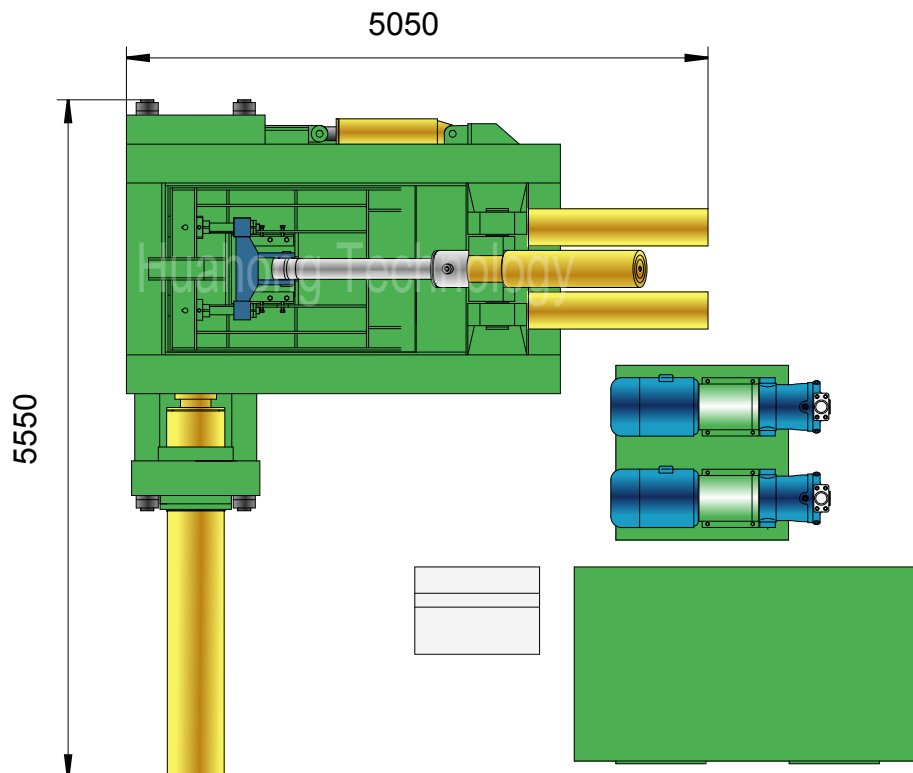
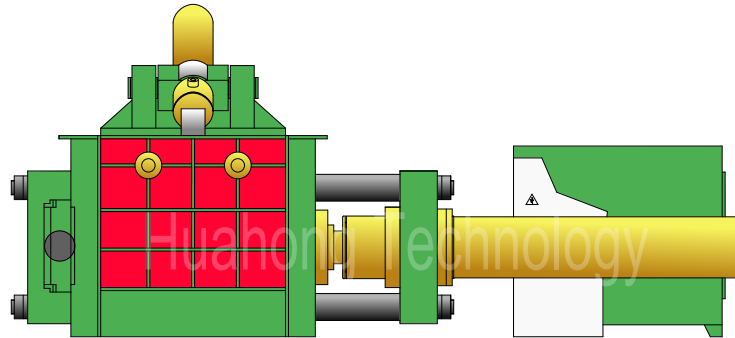
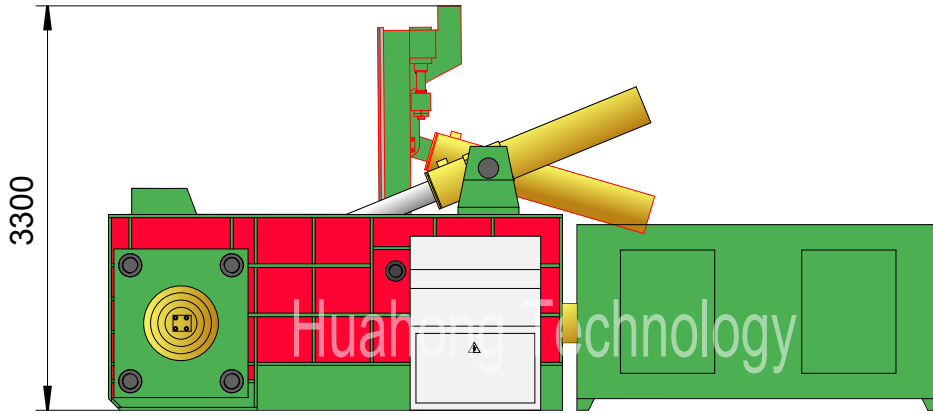




Y81T-315A

Plan View





Y81T-315A

Technical parameters

"Push-out" Type Metal Baler

Model: Y81T-315A

Power System (Motor, 2 sets)

Type: Y280S-6
 Rated Power: 45 kW (/set)
 Rated Speed: 980 rpm
 Power Spec: 3PH, 50 / 60Hz

System Parameters

Lid Cyl. Force: 120 Ton
 Side Pressure Cyl. Force: 2×160 Ton
 Main Pressure Cyl. Force: 315 Ton
 Small Door Cyl. Force: 55 Ton
 Hydraulic System Pressure: 25 MPa
 Idle Cycle Time: Approx. 180 Sec

Hydraulic System (Pump, 2 sets)

Type: 250YCY14-1B
 Rated Displacement: 250 ml/r (/set)
 Max Operating Pressure: 31.5 MPa

Standard Configuration

A3 Steel Liners, Surface Heat Treatment.

Operation System (Optional)

Option 1: Manual Valve Operation
 Option 2: PLC Operation

Optional Configuration

Cutting Blades & Teeth (2 sides);
 Loading Hopper; Cooler / Heater;
 Diesel / Diesel Generator for Power.

General Description

Main Machine Size (L×W×H): 5050×5550×3300 mm
 Press Box Size (L×W×H): 2000×1750×1200 mm
 Bale Size (W×H): 500×600 mm
 Bale Weight (Steel): 300-500 kg
 Production Rate (Steel): 5.0-8.0 tons/hr
 Shipping Weight: Approx. 35 tons
 Loading (Standard Containers):

Hydraulic Oil Brand

Oil Tank Volume: 2800 ltr

| ISO VG | China | U.S. | | Britain | France |
|--------|-----------|------------|---------|-----------|------------|
| | GB11118.1 | CALTEX CO. | MOBIL | SHELL | ELF CO. |
| HM 46 | 46 # | Rando HD46 | D.T.E46 | Tellus 46 | Elfolna 46 |
| HM 68 | 68 # | Rando HD68 | D.T.E68 | Tellus 68 | Elfolna 68 |

Above information are indicative not engaging. Rights reserved for change if necessary.