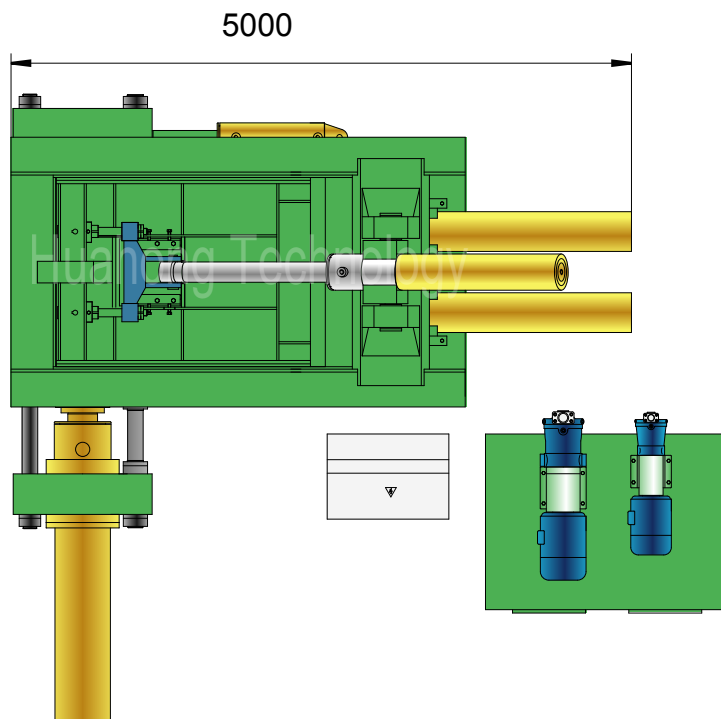
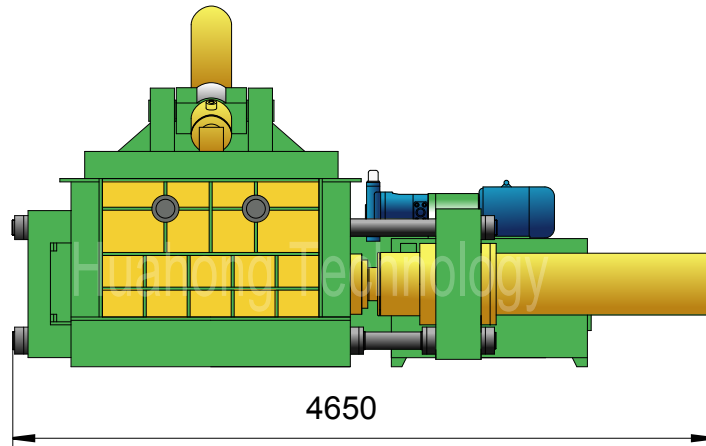
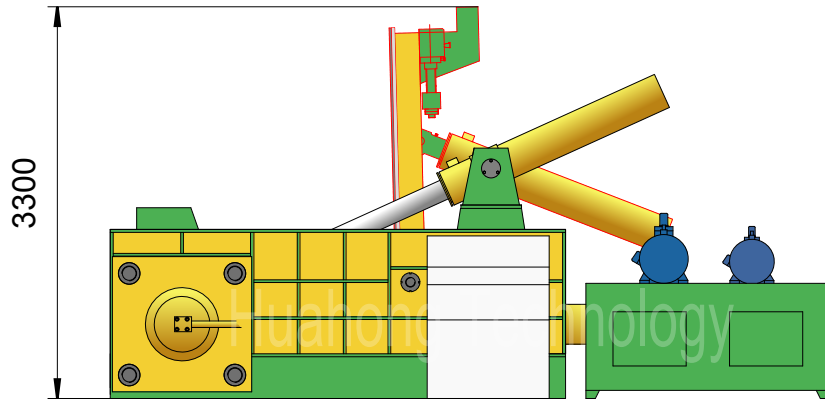




# YE81T-250B

## Plan View





# YE81T-250B

## Technical parameters

### "Push-out" Type Metal Baler

Model: YE81T-250B

### Power System (Motor, 2 sets)

Type: Y200L-4  
 Rated Power: 30 kW (/set)  
 Rated Speed: 1470 rpm  
 Power Spec: 3PH, 50 / 60Hz

### System Parameters

Lid Cyl. Force: 80 Ton  
 Side Pressure Cyl. Force: 2×120 Ton  
 Main Pressure Cyl. Force: 250 Ton  
 Small Door Cyl. Force: 50 Ton  
 Hydraulic System Pressure: 25 MPa  
 Idle Cycle Time: Approx. 120 Sec

### Hydraulic System (Pump, 2 sets)

Type: HY125  
 Rated Displacement: 125 ml/r (/set)  
 Max Operating Pressure: 31.5 MPa

### Operation System (Optional)

Option 1: Manual Valve Operation  
 Option 2: PLC Operation

### Standard Configuration

#45 Steel Liners 20mm, Wholly Heat Treated;  
 NOK (JAPAN) Seal Packings for Cylinders;  
 Cooler / Heater; Magnetic Oil Filter.

### Optional Configuration

Cutting Blades & Teeth (2 sides); Loading Hopper;  
 Mn65 Steel Liners for High Pressure Chamber;  
 Diesel / Diesel Generator for Power.

### General Description

Main Machine Size (L×W×H): 5000×4650×3300 mm  
 Press Box Size (L×W×H): 2000×1400×1000 mm  
 Bale Size (W×H): 400×400 mm  
 Bale Weight (Steel): 200-450 kg  
 Production Rate (Steel): 4.0-7.0 tons/hr  
 Shipping Weight: Approx. 27 tons  
 Loading (Standard Containers): 3×20'GP

### Hydraulic Oil Brand

Oil Tank Volume: 2800 ltr

ISO VG	China	U.S.		Britain	France
	GB11118.1	CALTEX CO.	MOBIL	SHELL	ELF CO.
HM 46	46 #	Rando HD46	D.T.E46	Tellus 46	Elfolna 46
HM 68	68 #	Rando HD68	D.T.E68	Tellus 68	Elfolna 68

Above information are indicative not engaging. Rights reserved for change if necessary.