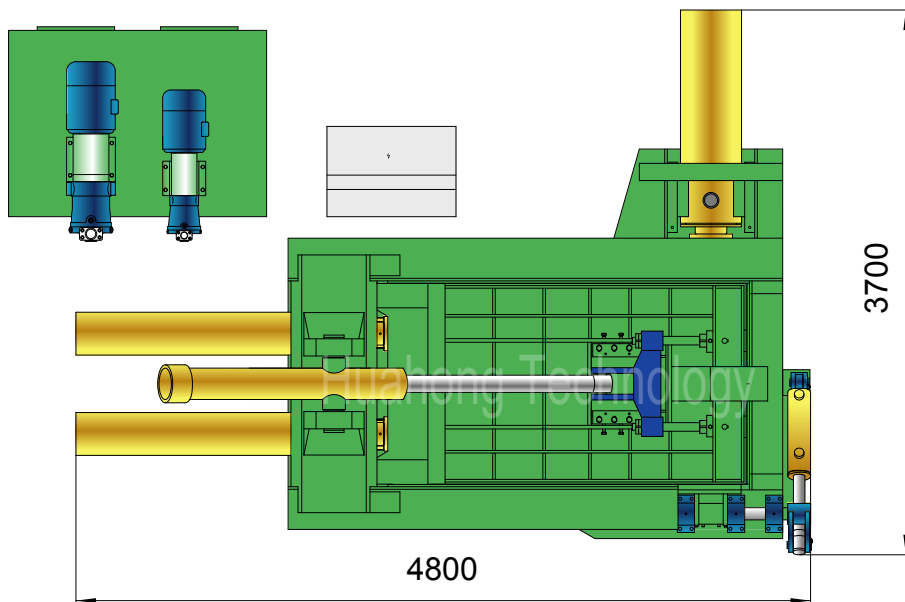
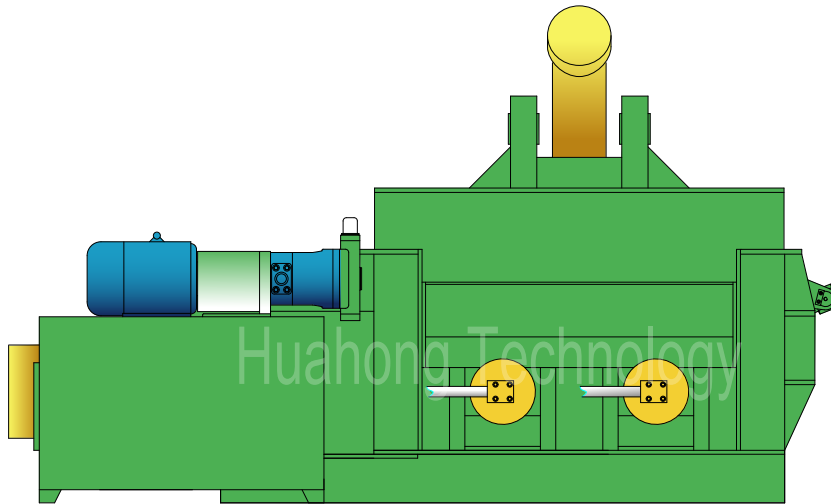
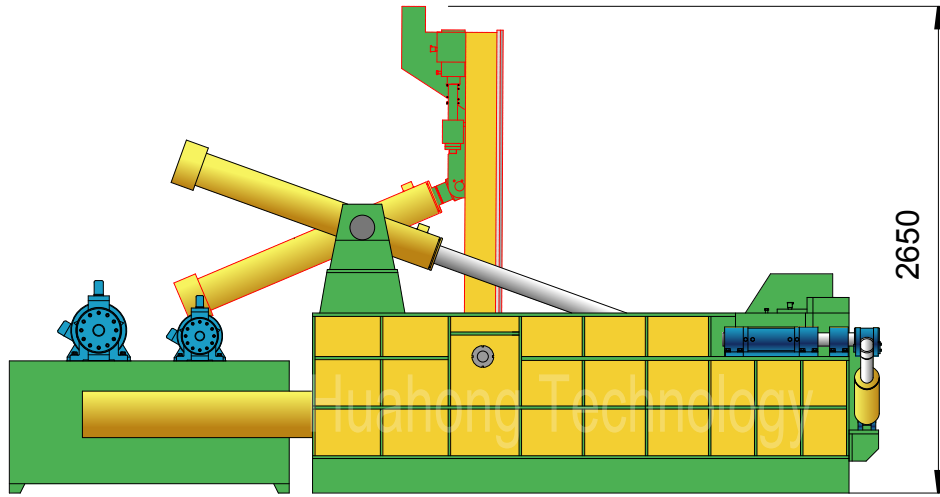




YR81F-250BS

Plan View





YR81F-250BS

Technical parameters

"Turn-out" Type Metal Baler

Model: YR81F-250BS

Power System (Motor, 2 sets)

Type: Y200L2-6
 Rated Power: 22 kW (/set)
 Rated Speed: 970 rpm
 Power Spec: 3PH, 50 / 60Hz

Hydraulic System (Pump, 2 sets)

Type: 160YCY14-1B
 Rated Displacement: 160 ml/r (/set)
 Max Operating Pressure: 31.5 MPa

Standard Configuration

A3 Steel Liners, Surface Heat Treatment;
 NOK (JAPAN) Seal Packings for Cylinders;
 Oil Heater.

System Parameters

Lid Cyl. Force: 95 / 118 Ton
 Side Pressure Cyl. Force: 2×95 / 2×118 Ton
 Main Pressure Cyl. Force: 200 / 250 Ton
 Bale Discharge Cyl. Force: 10 Ton
 Hydraulic System Pressure: 25 / 31 MPa
 Idle Cycle Time: Approx. 100 Sec

Operation System

Manual Valve Operation

Optional Configuration

Cutting Blades & Teeth (2 sides);
 #45 Steel Liners for Whole Press Box;
 Diesel / Diesel Generator for Power.

General Description

Main Machine Size (L×W×H): 4800×3700×2650 mm
 Press Box Size (L×W×H): 1800×1400×800 mm
 Bale Size (W×H): 450×450 mm
 Bale Weight (Steel): 180-350 kg
 Production Rate (Steel): 3.5-6.0 tons/hr
 Shipping Weight: Approx. 18.2 tons
 Loading (Standard Containers): 1×20'OT

Hydraulic Oil Brand

Oil Tank Volume: 2300 ltr

| ISO VG | China | U.S. | | Britain | France |
|--------|-----------|------------|---------|-----------|------------|
| | GB11118.1 | CALTEX CO. | MOBIL | SHELL | ELF CO. |
| HM 46 | 46 # | Rando HD46 | D.T.E46 | Tellus 46 | Elfolna 46 |
| HM 68 | 68 # | Rando HD68 | D.T.E68 | Tellus 68 | Elfolna 68 |

Above information are indicative not engaging. Rights reserved for change if necessary.