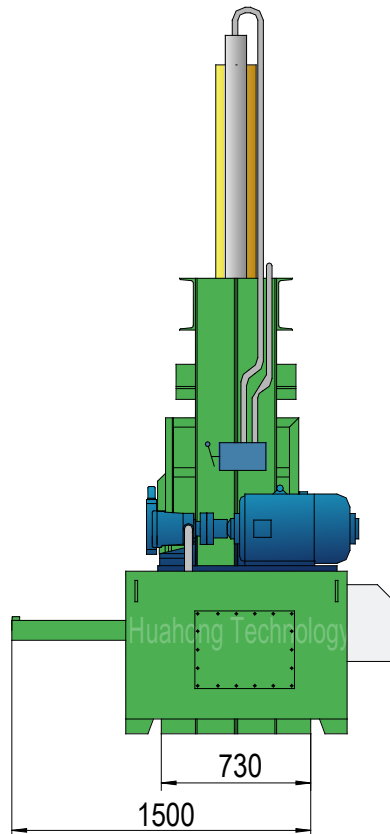
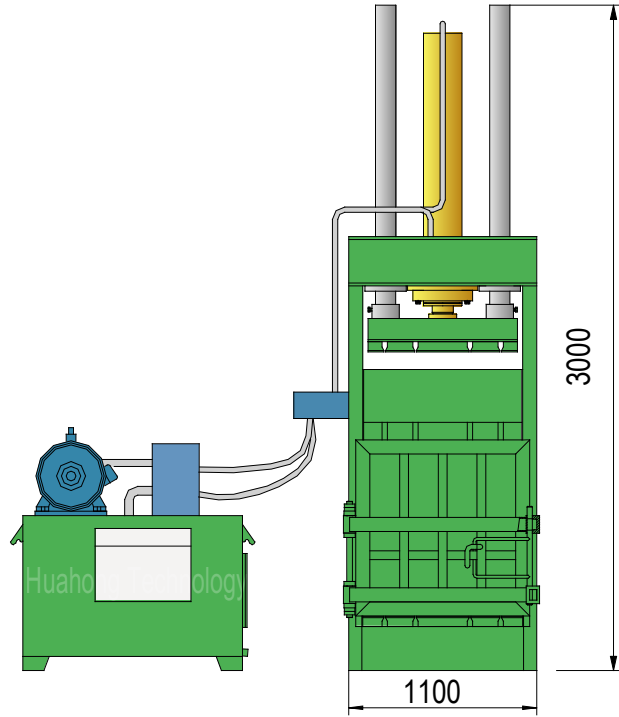




Y82-25YS

Plan View





Y82-25YS

Technical parameters

Vertical Metal Baler

Model: Y82-25YS

Power System (Motor)

Type: Y180L-6
 Rated Power: 15 kW
 Rated Speed: 970 rpm
 Power Spec: 3PH, 50 / 60Hz

System Parameters

Main Pressure Cyl. Force: 25 Ton
 Ejection Cyl. Force: 6.3 Ton
 Hydraulic System Pressure: 12.5 MPa

Hydraulic System (Pump)

Type: 63YCY14-1B
 Rated Displacement: 63 ml/r
 Max Operating Pressure: 31.5 MPa

Standard Configuration

NOK (JAPAN) Seal Packings for Cylinders.

Operation System

Manual Valve Operation

General Description

Main Machine Size (L×W×H): 1100×1500×3000 mm
 Press Box Size (L×W×H): 730×620×980 mm
 Space Between Ram & Bottom: Max. 1000 mm; Min. 10 mm
 Bale Size (L×W): 730×620 mm
 Bale Weight (Copper Wire): 250-300 kg
 Production Rate (Copper Wire): 1000-1500 kg/hr
 Strapping: Tempered Iron Wire, φ2.8/3.2mm, 4 Lines, Manual Strapping.
 Bale Discharging: By Ejection Cylinder
 Shipping Weight: Approx. 1.8 tons
 Loading (Standard Containers): 1/2×20'GP

Hydraulic Oil Brand

Oil Tank Volume: 320 ltr

ISO VG	China	U.S.		Britain	France
	GB11118.1	CALTEX CO.	MOBIL	SHELL	ELF CO.
HM 46	46 #	Rando HD46	D.T.E46	Tellus 46	Elfolna 46
HM 68	68 #	Rando HD68	D.T.E68	Tellus 68	Elfolna 68

Above information are indicative not engaging. Rights reserved for change if necessary.