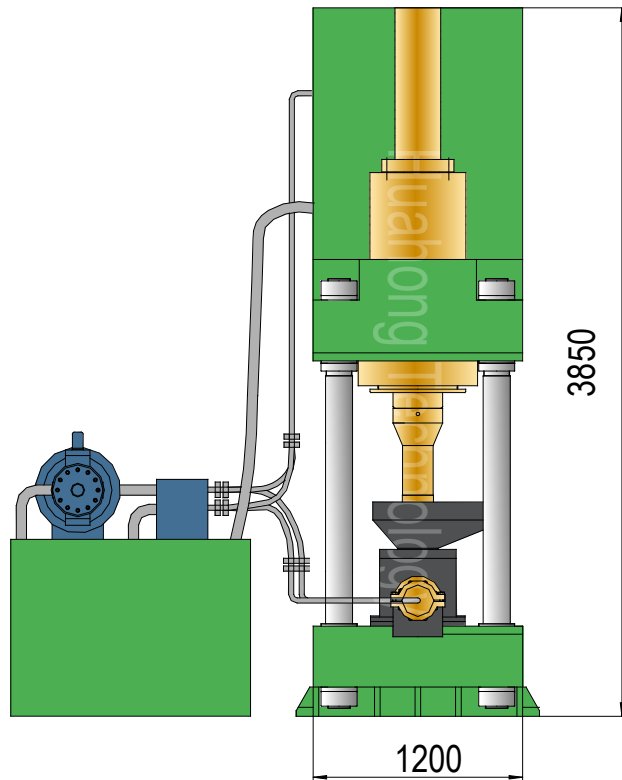
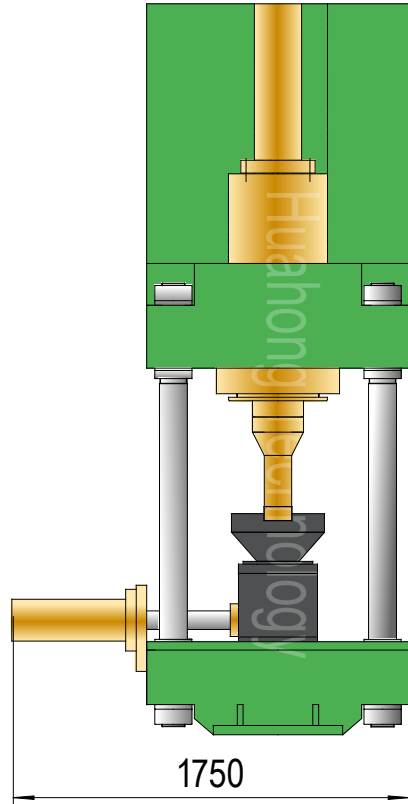




Y83-400

Plan View





Y83-400

Technical parameters

Scrap Briquetting Press

Model: Y83-400

Power System (Motor)

Type: Y225M-6 / Y250M-6
 Rated Power: 30 / 37 kW
 Rated Speed: 980 rpm
 Power Spec: 3PH, 50 / 60Hz

System Parameters

Main Cyl. Force: 345 Ton
 Auxiliary Cyl. Force: 55 Ton
 Discharging Cyl. Force: 30 Ton
 Hydraulic System Pressure: 25 MPa
 Idle Cycle Time: 15-18 Sec

Hydraulic System (Pump)

Pump #1: 160YCY14-1B
 Rated Displacement: 160 ml/r
 Max Operating Pressure: 31.5 MPa

Operation System

PLC Operation

Pump #2: 80YCY14-1B
 Rated Displacement: 80 ml/r
 Max Operating Pressure: 31.5 MPa

Optional Configuration

Cooler / Heater;
 Feeding Conveyor & Vibrating Motor;
 Diesel / Diesel Generator for Power.

General Description

Main Machine Size (L×W×H): 1750×1200×3850 mm
 Press Mould Size (Dia×H): Φ 125×300 / Φ 140×300 mm
 Pressure on Briquet: 326 / 260 MPa
 Briquet Size (Dia×H): Φ 125×(70-100) / Φ 140×(70-100) mm
 Briquet Weight (Cast Iron): 5-7.2 / 5.9-8.5 kg
 Production Rate (Cast Iron): 1200-1300 kg/hr
 Shipping Weight: Approx. 11 tons
 Loading (Standard Containers):

Hydraulic Oil Brand

Oil Tank Volume: 2500 ltr

| ISO VG | China | U.S. | | Britain | France |
|--------|-----------|------------|---------|-----------|------------|
| | GB11118.1 | CALTEX CO. | MOBIL | SHELL | ELF CO. |
| HM 46 | 46 # | Rando HD46 | D.T.E46 | Tellus 46 | Elfolna 46 |
| HM 68 | 68 # | Rando HD68 | D.T.E68 | Tellus 68 | Elfolna 68 |

Above information are indicative not engaging. Rights reserved for change if necessary.